

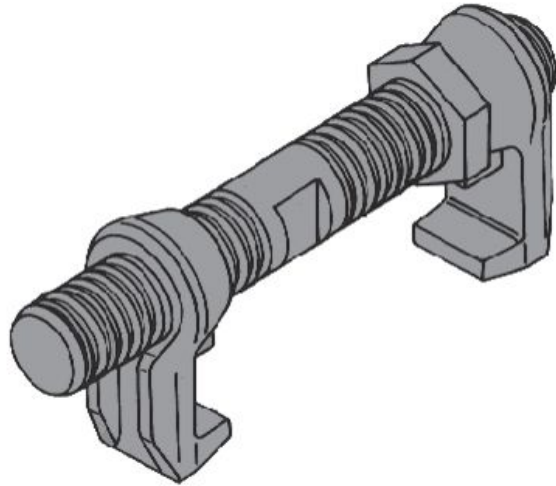
## Bridge Fitting

### Product information

**For use:** On top of containers.

**Material:** Forged steel.

**Finish:** Galvanized.



Part Code	Code	MBL ton	Dist between cont mm	Weight kg	Delivery time
7061PC1	PC.1	41	25/80	2.8	5

## Blueprint

